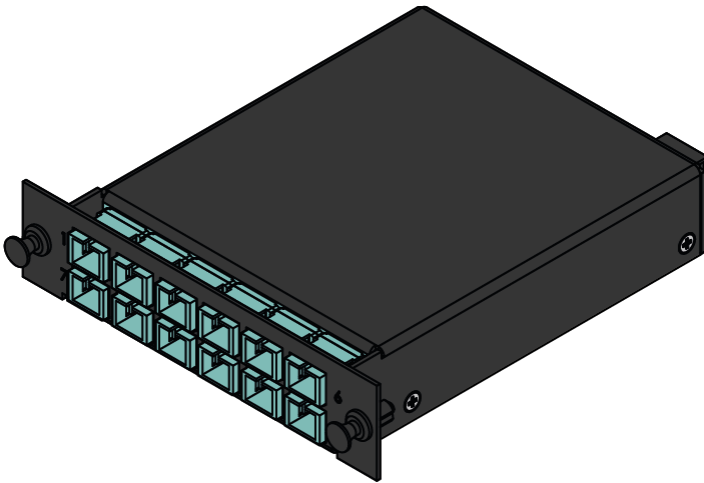


MPO LGX Cassette Module



Item Description

MPO LGX Cassette Modules provide secure transition between MPO and LC or SC discrete connectors. They are used to interconnect MPO backbones with LC or SC patching. This modular system allows for rapid deployment of high density data centre infrastructure as well as improved troubleshooting and reconfiguration during moves, adds and changes. Cassettes can be mounted in 1U or 3U 19" multislots chassis. MPO Cassettes contain factory controlled and tested MPO to LC or SC fanouts to deliver optical performance and reliability. Low loss Premium MPO and LC or SC Premium versions are offered featuring low insertion loss for demanding power budget high speed networks.

Features/Benefits

- MPO IEC 61754 standards compliant multifibre connector
- LC (SFF data centre standard), SC discrete interface
- OS1/2, OM3, OM4 cabled fibre grades (OM1 and OM2 available)
- 12 and 24 fibre versions - 12 LC (Duplex)
- 12 fibre version - SC (Simplex)
- Polarity A (standard), B or C
- Factory terminated and tested
- High performance zirconia sleeve adaptors
- **Rapid deployment** Factory terminated modular system saves installation and reconfiguration time during moves, adds and changes.
- **MPO interface** MPO components feature superior optical and mechanical properties.
- **Optimised performance** Low loss Premium MPO, discrete Premium connectors and OM4 fibre grade assures low insertion losses and power penalties in tight power budget, high-speed network environments.
- **High density** 12 or 24 fibre cassettes can be mounted in 1U scaling up to 72 or in 3U scaling up to 336 discrete LC connectors.
- **Reliability** 100% tested - combination of high quality components and manufacturing quality control guarantees product to the highest standards.

Applications

- Data centre infrastructure
- Storage area network - fibre channel
- Parallel optics

Specifications

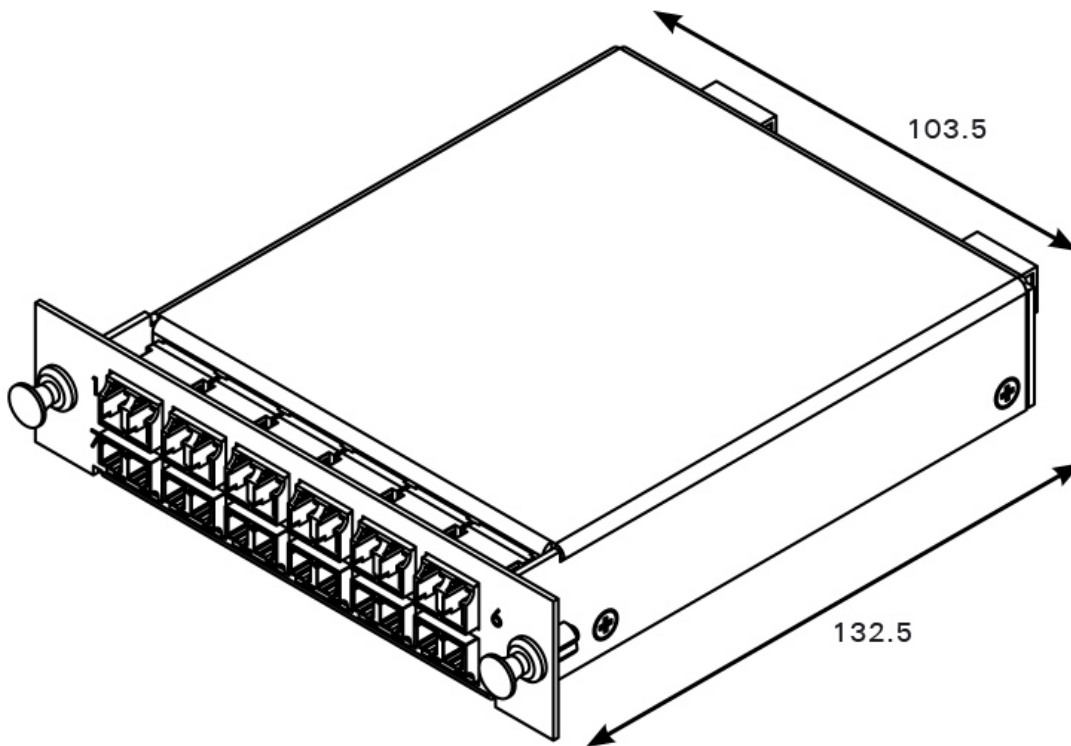
ELEMENT	CHARACTERISTIC
Fibre	OS1/OS2, OM2, OM3, OM4 (ISO/IEC 11801)
Fibre Count	12, 24
Polarity	A, B, C
MPO Adapters	(IEC 61754 & EIA/TIA-604-5) <ul style="list-style-type: none"> • Body Colour: Black - Polarity: A/C - Keyway up - Key way down • Body Colour: Grey - Polarity: B - Keyway up- Keyway up
LC Adapter	<ul style="list-style-type: none"> • Body Colour: Aqua (MM)(OM3/OM4), Blue(SM/UPC), Green(SM/APC) • Sleeve Material: Zirconia
Terminations	<ul style="list-style-type: none"> • MPO (12 fibre ferrule) with LC, LCA, SC, SCA Enhanced performance • MPO Low Loss Premium (12 fibre ferrule) with LC, LCA, SC, SCA Low Loss Premium performance
Cassette Material	16 Gauge Aluminium (15mm thickness) with a black powder coat finish (colour: RAL9004)
Storage Temperature	-20 ~ +60°C
Installation Temperature	-20 ~ +60°C
Operating Temperature	-20 ~ +60°C
Packaging Dimensions	150 mm x 50 mm x 215 mm
Weight	0.55 kg

Connector Performance

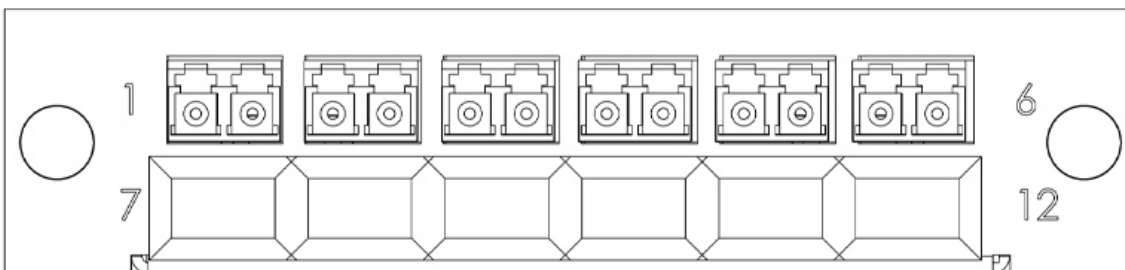
CONNECTOR MATING	IL AVERAGE	IL MAX	RETURN LOSS
MPO Premium (MM)	0.10 dB	0.35 dB	N/A
MPO (MM)	0.20 dB	0.60 dB	N/A
MPO Premium (SM)	0.10 dB	0.35 dB	>60 dB
MPO (SM)	0.25 dB	0.75 dB	>60 dB

OPTICAL PERFORMANCE	MM PREMIUM	MM ENHANCED	SM PREMIUM	CONFORMANCE
IL Max/Master (Acceptance)	0.15dB	0.25dB	0.15dB	IEC 61300-3-4
Ave/Master 0.08dB		0.15dB	0.12dB	IEC 61300-3-4
Ave/Random 0.10dB		0.20dB	0.12dB	IEC 61300-3-4
RL(Min Acceptance)	NA	NA	55/65**	IEC 61300-3-6

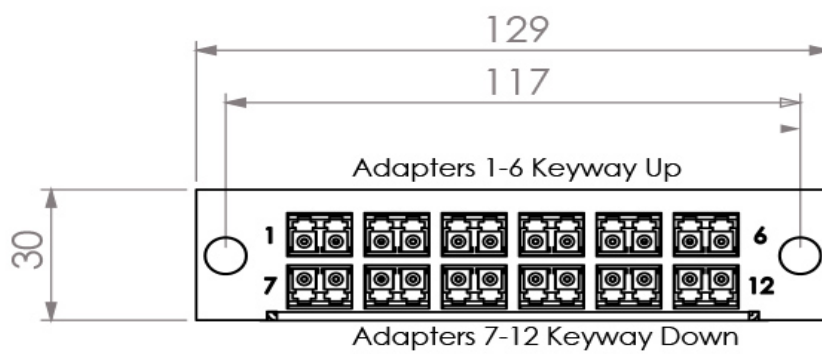
** UPC/APC



All dimensions in mm



Front



All dimensions in mm

Additional information

- TIA/EIA-568-C.3 and ISO/IEC 11801 - cable
- IEC 61754-7 & EIA/TIA-604-5 - MPO
- RoHS, REACH and SvHC materials compliant
- IEC 61754-20 (LC) & IEC 61754-14 (SC)
- IEC 60793 - Optical fibre